



# ASIATIC

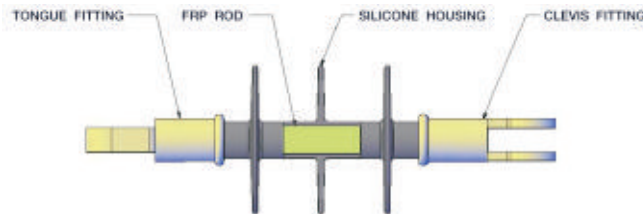
## COMPOSITE LONG ROD INSULATORS

**Asiatic** manufacturers world class range of composite insulators for over head transmission & distribution lines.

A wide variety of composite insulators are available with various kinds of end fittings to meet exact requirements of the customer.

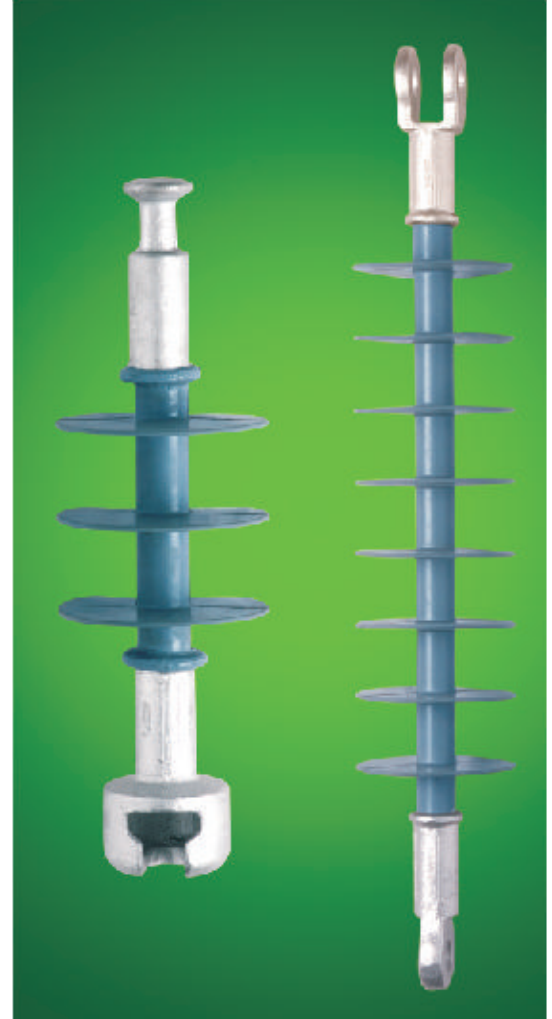
### FEATURES

- ☑ The use of Polymeric/Silicone Rubber base insulators have several advantages over the conventional ceramic insulators like light weight, unbreakable, hydrophobic, resistant to ozone & UV radiations, resistant to earth quake shocks , self cleaning properties & resistant to vandalism.
- ☑ Manufactured to IEC 61109 .
- ☑ The external sheds are moulded from Silicone rubber on the latest state of the art injection moulding machinery from Desma, Germany. The silicone rubber is procured from world renowned companies across the world.
- ☑ The end fittings which are intended to connect to a supporting structure or to a conductor are made up of malleable iron and are duly Hot dip galvanized.
- ☑ The metal end fittings are crimped on microprocessor controlled automatic hydraulic crimping machines .
- ☑ Various types Long Rod Insulators are available in voltage ratings of 11 kV to 33 kV Ball & Socket; Tongue & Clevis types of end fittings.



### CONSTRUCTION FEATURES

The core is the insulating part of the composite insulator and is made up of fiber glass rod and is designed to ensure the necessary mechanical characteristics. The FRP rod used in the manufacturing of Silicone rubber insulators is one of core material which is manufactured by protrusion process using boron free ECR grade glass fiber having required mechanical & electrical characteristics.



### QUALITY CONTROL

Asiatic has the requisite infrastructure to carry out routine tests on the insulators as desired by international/national standards like: Dry power frequency voltage test , Mechanical Tensile test, Thermo mechanical test chamber, U.V. weathering Rubber tensile test etc as per IEC 61109.



Ultra Violet Weathering Chamber



Universal Testing Machines



Tracking & Erosion Test

Visit us at:  
[www.asiatic-india.com](http://www.asiatic-india.com)

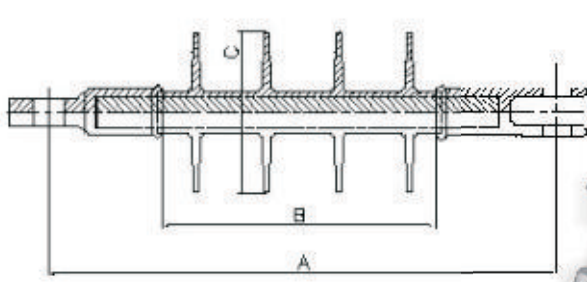
## Tested Power...Trusted Solution

SWITCHGEARS

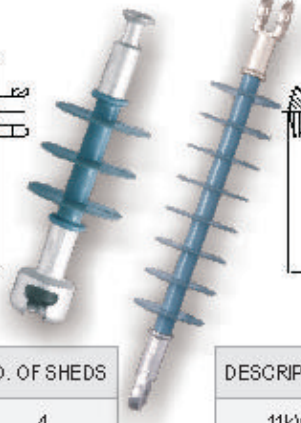
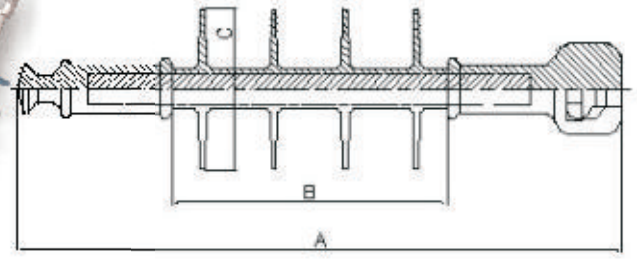
# SWITCHGEAR

## SECTIONAL VIEW

### COMPOSITE DISC INSULATOR (T&C)



### COMPOSITE DISC INSULATOR (B&S)



DESCRIPTION	MODEL NO.	A	B	C	NO. OF SHEDS
11kV	LRTC11425-4	307	165	98	4
11kV	LRTC11320-3	265	122	98	3
33kV	LRTC33860-8	528	354	96	8
33kV	LRTC33720-6	454	278	96	6

DESCRIPTION	MODEL NO.	A	B	C	NO. OF SHEDS
11kV	LRBS11425-4	363	165	98	4
11kV	LRBS11320-3	300	122	98	3
33kV	LRBS33860-8	551	354	96	8
33kV	LRBS33720-6	465	268	96	6

## TECHNICAL PARTICULARS

S. NO	DESCRIPTION	UNITS	PARTICULARS							
1	Catalogue Number	.	LRTC11425-4	LRTC11320-3	LRBS11425-4	LRBS11320-3	LRTC33860-8	LRTC33720-6	LRBS33860-8	LRBS33720-6
2	Sectional Length	mm	307	265	363	300	528	454	551	465
3	Voltage Rating	kV	12	12	12	12	36	36	36	36
4	Material		Silicone Rubber	Silicone Rubber	Silicone Rubber	Silicone Rubber	Silicone Rubber	Silicone Rubber	Silicone Rubber	Silicone Rubber
5	Power Frequency Flash over Voltage (kV)	Dry	90	90	90	90	160	160	160	160
		Wet	70	70	70	70	145	145	145	145
6	Critical Impulse Flash over Voltage (kV)	Pos.	155	155	155	155	270	270	270	270
		Neg.	140	140	140	140	260	260	260	260
7	Radio Interference Voltage at 1000 kHz	Test kV	20	20	20	20	25	25	25	25
		RIV (µv)	1	1	1	1	1	1	1	1
8	Routine Test Load (1 min.)	Kgf.	3500	3500	3500	3500	3500	3500	3500	3500
9	Torsional Load	Kgf.	5530	5530	5530	5530	5530	5530	5530	5530
10	Specified Mech. Load	Kgf.	7000	7000	7000	7000	7000	7000	7000	7000
11	Minimum Creepage Distance	mm	425	320	425	320	860	720	860	720
12	Min. Dry Arcing Distance	mm	165	122	165	122	354	278	354	278
13	Type of end fittings		T&C	T&C	B&S	B&S	T&C	T&C	B&S	B&S



**ASIATIC ELECTRICAL & SWITCHGEAR P. LTD.**  
(FORMERLY ASIATIC ELECTRONIC INDUSTRIES)

Registered Office:

A 58, Naraina Industrial Area, Phase-I, New Delhi - 110 028, India.

Tel.: +91-11-25796330, 25796617, Fax: +91-11-25799816, 45082346

E-mail: asiatic@asiatic-india.com

MKT-K-11/09

DESIGN & PRODUCED BY PAGE

The Company follows a policy of continuous development and improvement of its products and hence products supplied may differ from those described and illustrated in this page.

**Tested Power...Trusted Solution**